

KEY FEATURES

- 4" full-range compact neodymium loudspeaker
- 80 W program power
- Extended response and low distortion
- Paper cone and Santoprene™ surround
- Pressed steel basket
- Neodymium magnet
- Ideal for beam-steering application (columns), portable array and compact applications

TECHNICAL SPECIFICATIONS

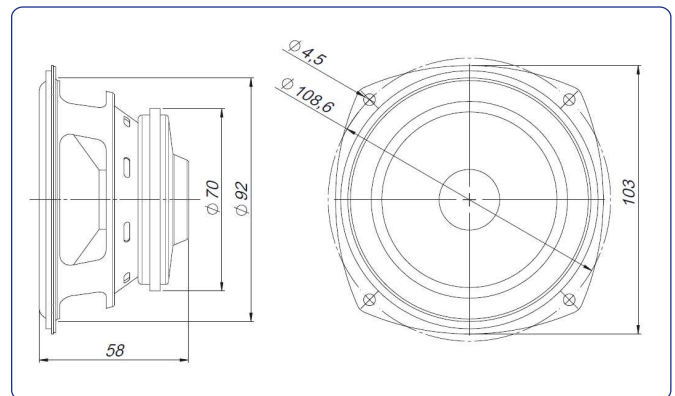
Nominal diameter	100 mm	4 in
Rated impedance		8 Ω
Minimum impedance		7,2 Ω
Power capacity*		40 W _{AES}
Program power		80 W
Sensitivity	88 dB	1W / 1m @ Z _N
Frequency range		100 - 20.000 Hz
Voice coil diameter	20,3 mm	0,8 in
BI factor		4,7 N/A
Moving mass		0,0045 kg
Voice coil length		7,7 mm
Air gap height		4 mm

THIELE-SMALL PARAMETERS**

Resonant frequency, f _s	94 Hz
D.C. Voice coil resistance, R _e	6,4 Ω
Mechanical Quality Factor, Q _{ms}	10,8
Electrical Quality Factor, Q _{es}	0,78
Total Quality Factor, Q _{ts}	0,73
Equivalent Air Volume to C _{ms} , V _{as}	2,7 l
Mechanical Compliance, C _{ms}	627 μm / N
Mechanical Resistance, R _{ms}	0,25 kg / s
Efficiency, η ₀	0,28 %
Effective Surface Area, S _d	0,0055 m ²
Maximum Displacement, X _{max} ***	3 mm
Displacement Volume, V _d	11 cm ³
Voice Coil Inductance, L _e @ 1 kHz	0,2 mH



DIMENSION DRAWINGS



MOUNTING INFORMATION

Overall diameter	118,2 mm	4,65 in
Bolt circle diameter	108,2 mm	4,26 in
Baffle cutout diameter:		
- Front mount	92 mm	3,62 in
Depth	58 mm	2,28 in
Net weight	0,28 kg	0,62 lb
Shipping weight	0,45 kg	0,99 lb

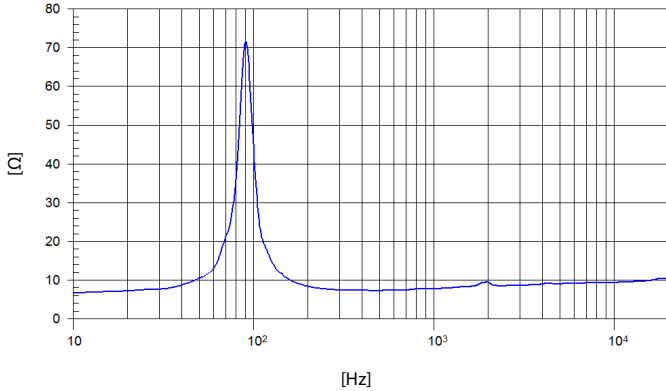
Notes:

* The power capacity is determined according to AES2-1984 (r2003) standard. Program power is defined as the transducer's ability to handle normal music program material.

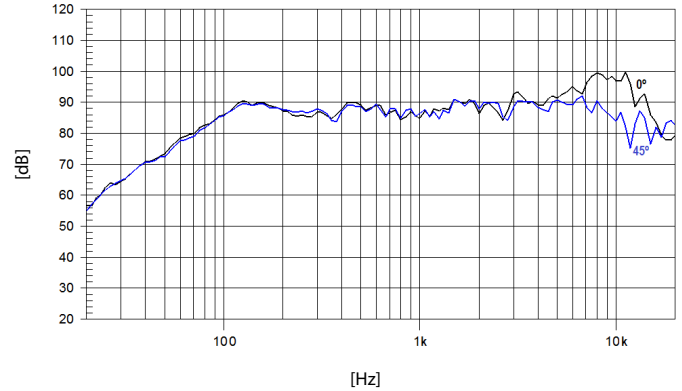
** T-S parameters are measured after an exercise period using a preconditioning power test. The measurements are carried out with a velocity-current laser transducer and will reflect the long term parameters (once the loudspeaker has been working for a short period of time).

*** The X_{max} is calculated as (L_{vc} - H_{ag})/2 + (H_{ag}/3,5), where L_{vc} is the voice coil length and H_{ag} is the air gap height.

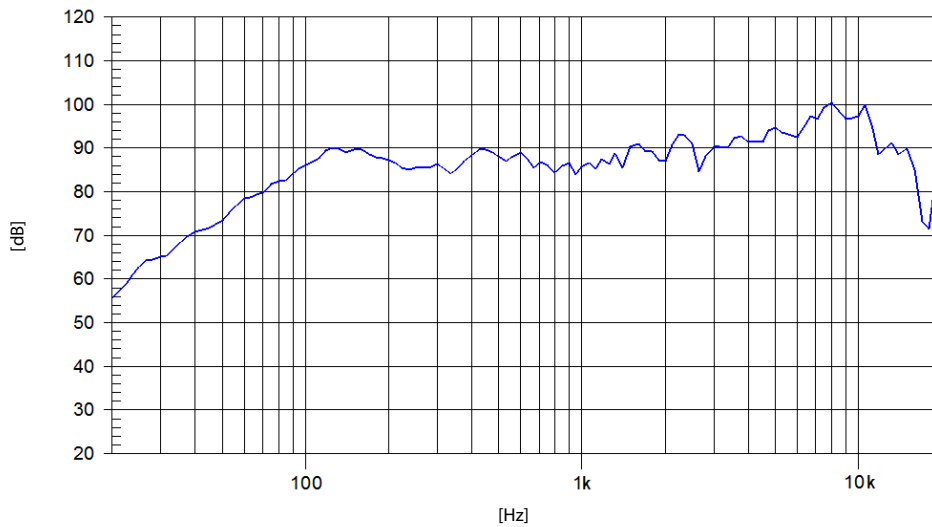
FREE AIR IMPEDANCE CURVE



OFF-AXIS FREQUENCY RESPONSE



FREQUENCY RESPONSE CURVE



Note: On axis frequency response measured with loudspeaker standing on infinite baffle in anechoic chamber, 1W @ 1m